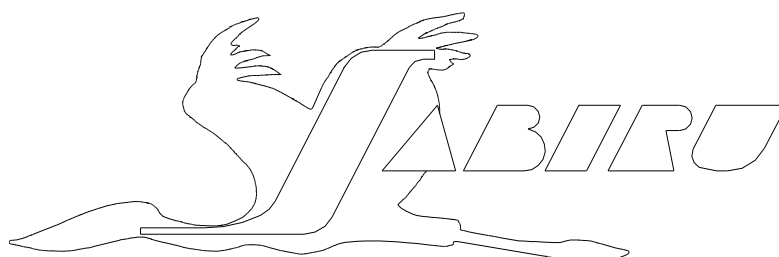


# JABIRU ENGINE PARTS BOOK



## 3300 SERIES

Jabiru Aircraft Pty Ltd ACN 010 910 077

PO Box 5792 Bundaberg

Australia 4670

Australia: Phone 07 4155 1778 Fax 07 4155 2669

International: Phone + 61 7 4155 1778 Fax + 61 7 4155 2669

Email: [info@jabiru.net.au](mailto:info@jabiru.net.au)

Web: [www.jabiru.net.au](http://www.jabiru.net.au)

June 2001

Please fill in your engine and aircraft details for future reference.

Engine Serial #: .....

Aircraft Type: .....

Model: .....

Serial #: .....

Registration #: .....

Note:

1. Not all parts are illustrated
2. Parts not serviced individually are noted as NSS
3. All efforts are made to ensure accuracy at the time of publication, if you find any discrepancies, or have any questions about the contents of this publication please contact Jabiru Aircraft Pty Ltd.
4. This parts listing is divided into sections A to O. The pages are identified with a letter for the section, followed by a page number for the section and another digit to indicate the issue level for that page only.
5. All quantities are per engine unless stated otherwise.

6. When ordering parts always quote engine serial number and any upgrades carried out on the engine, as well as item number, part number, description, section letter, page number and issue number. This complete information will ensure Jabiru Aircraft Pty Ltd supply the correct part.

## Engine Parts Catalogue Index

Section	Description
A	Cylinder Head
B	Crankcase Crankshaft and Camshaft
C	Conrod Piston and Barrel
D	Valves Assembly
E	Lubrication System
F	Flywheel and Ignition
G	Induction System
H	Engine Mount and Fittings
I	Exhaust and Muffler
J	Gearbox Assembly
K	Starter Motor
L	Sump Dipstick and Breather
M	Rocker Lubrication and Venting
N	Carburettor Assembly
O	Miscellaneous Electrical
P	Air Cooling Ducts

# Jabiru 3300 Engine

## Section A: CYLINDER HEAD

ITEM	PART #	ISS	DESCRIPTION	QTY	
1	4633074	2	TUBE PUSH ROD COVER	12	
2	PG10042N		'O'RING BS114V	24	
3	PH0666N	1	WASHER BELLEVILLE	36	
	452318N	1	WASHER	36	
4	PH72E24		CAP SCREW 1 1/2 X 5/16 UNF	36	
5	4657082	1	CYLINDER HEAD	6	NSS
	PH9852N		PLUG 1/8 NPT	6	
6	PI10582N		SPARK PLUG	12	
7	PG0168N	1	'O'RING BS237V	6	
8	4641084	2	ROCKER COVER	6	
9	PH72624		CAP SCREW 5/8 X 1/4 UNC	24	
	AN960-416		WASHER	24	
10	4590074	4	VALVE GUIDE	12	
11	PH0515N		CIRCLIP (20 INT)	12	
12	4659084	2	VALVE SEAT INSERT INLET	6	
	4660084	2	VALVE SEAT INSERT EXHAUST	6	

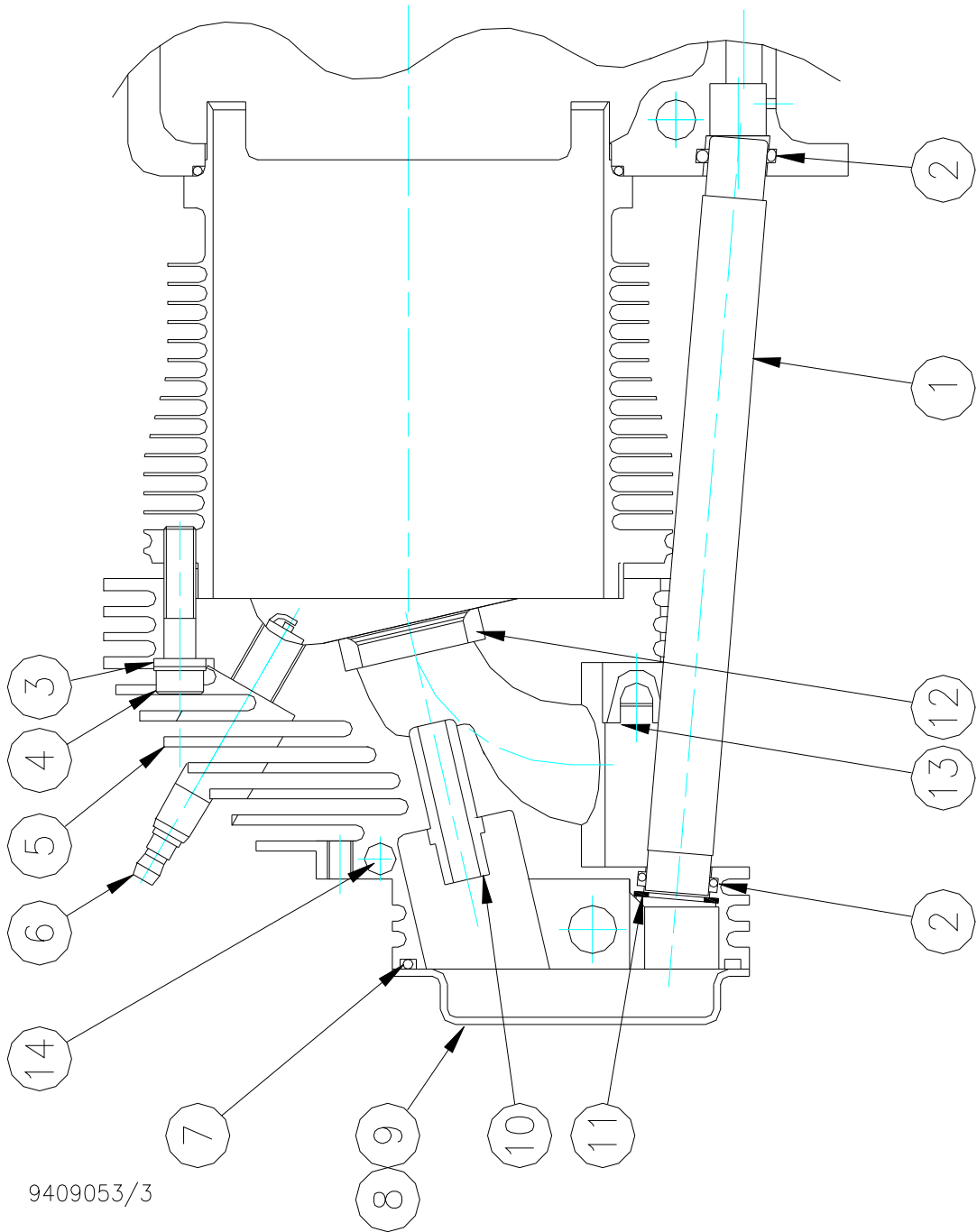
Cylinder Head Assemblies available incorporating :  
Cylinder Head  
Valve Guides  
Valve Seat Inserts

Note: Oversize valve guides available, use std P/N & specify 0.05, 0.10, 0.15  
Oversize. Identification is by 1, 2 or 3 dimples on exposed diameter when  
Fitted to assembled head

S/N 01 – 52 for these heads

To S/N 33A47

Jabiru 3300 Engine



**Section A: CYLINDER HEAD**

ITEM	PART #	ISS	DESCRIPTION	QTY	
1	4633074	2	TUBE PUSH ROD COVER	12	
2	PG10042N		'O'RING BS114V	24	
3	452329N	1	WASHER 3.5 X 19 Dia.	24	
	4523394	1	WASHER 3.5 X 20 Dia WITH FLAT	6	
4	PH72C24		CAP SCREW 1 1/2 X 5/16 UNF	30	
	PH0830N		BOLT 3 X 5/16 UNF	6	
5	4777092	4	HEAD EXT FINS & CTRS	6	NSS
	PH9852N		PLUG 1/8 NPT	6	
6	PI10582N		SPARK PLUG	12	
7	PG0168N	1	'O'RING BS237V	6	
8	4641084	2	ROCKER COVER	6	
9	PH72624		CAP SCREW 5/8 X 1/4 UNC	24	
	AN960-416		WASHER	24	
10	4590074	4	VALVE GUIDE	12	
11	PH0515N		CIRCLIP (20 INT)	12	
12	4659084	2	VALVE SEAT INSERT INLET	6	
	4660084	2	VALVE SEAT INSERT EXHAUST	6	
13	4747094	4	WASHER BETWEEN PORTS	6	
14	4686084	3	LUBE PIPE 30.5 LONG	8	

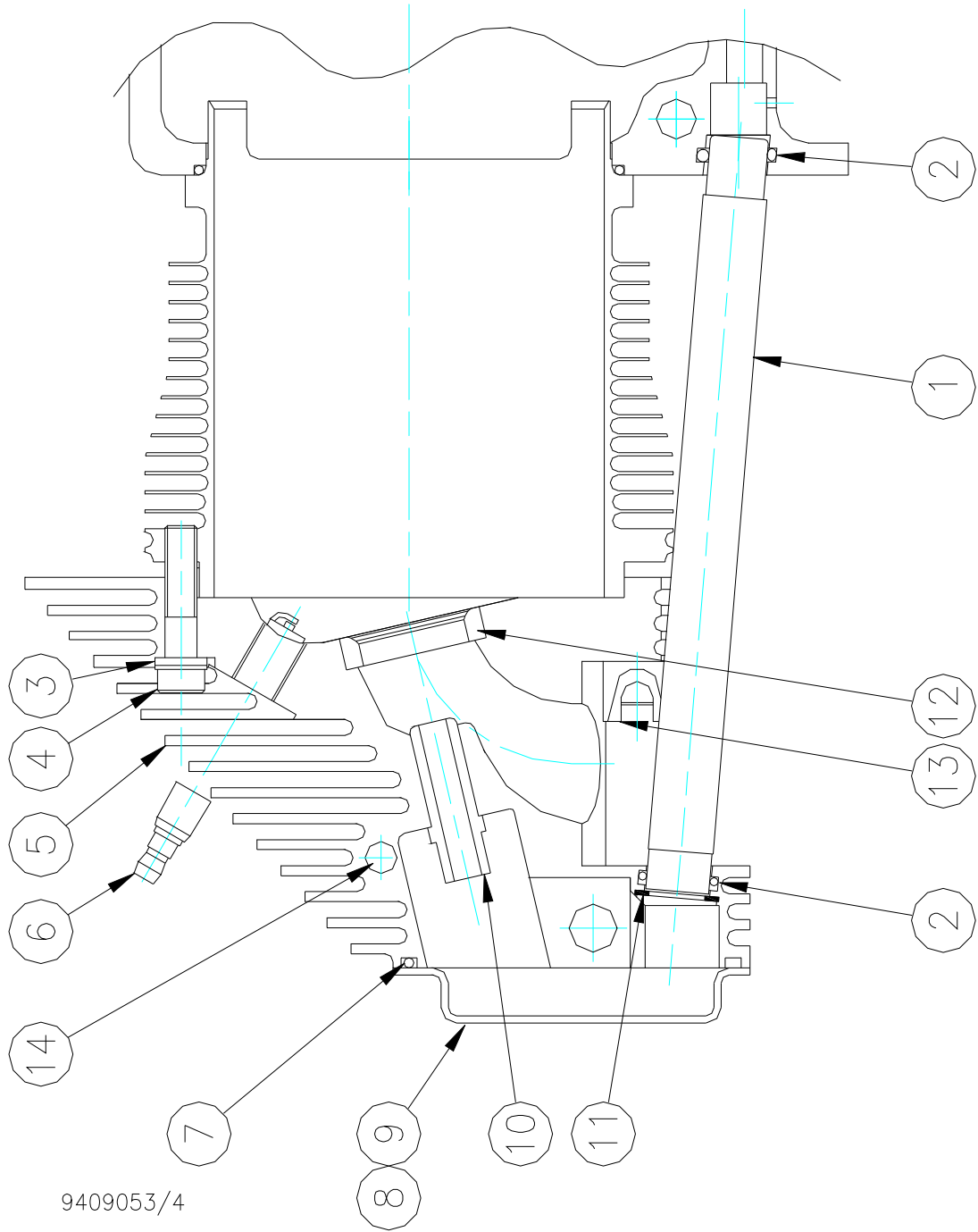
Cylinder Head Assemblies available incorporating :  
 Cylinder Head  
 Valve Guides  
 Valve Seat Inserts

Note: Oversize valve guides available, use std P/N & specify 0.05, 0.10, 0.15  
 Oversize. Identification is by 1, 2 or 3 dimples on exposed diameter when  
 Fitted to assembled head

S/N 53 – 223 for these heads

From S/N 33A48 TO 33A118

# Jabiru 3300 Engine



## Jabiru 3300 Engine

### Section A: CYLINDER HEAD

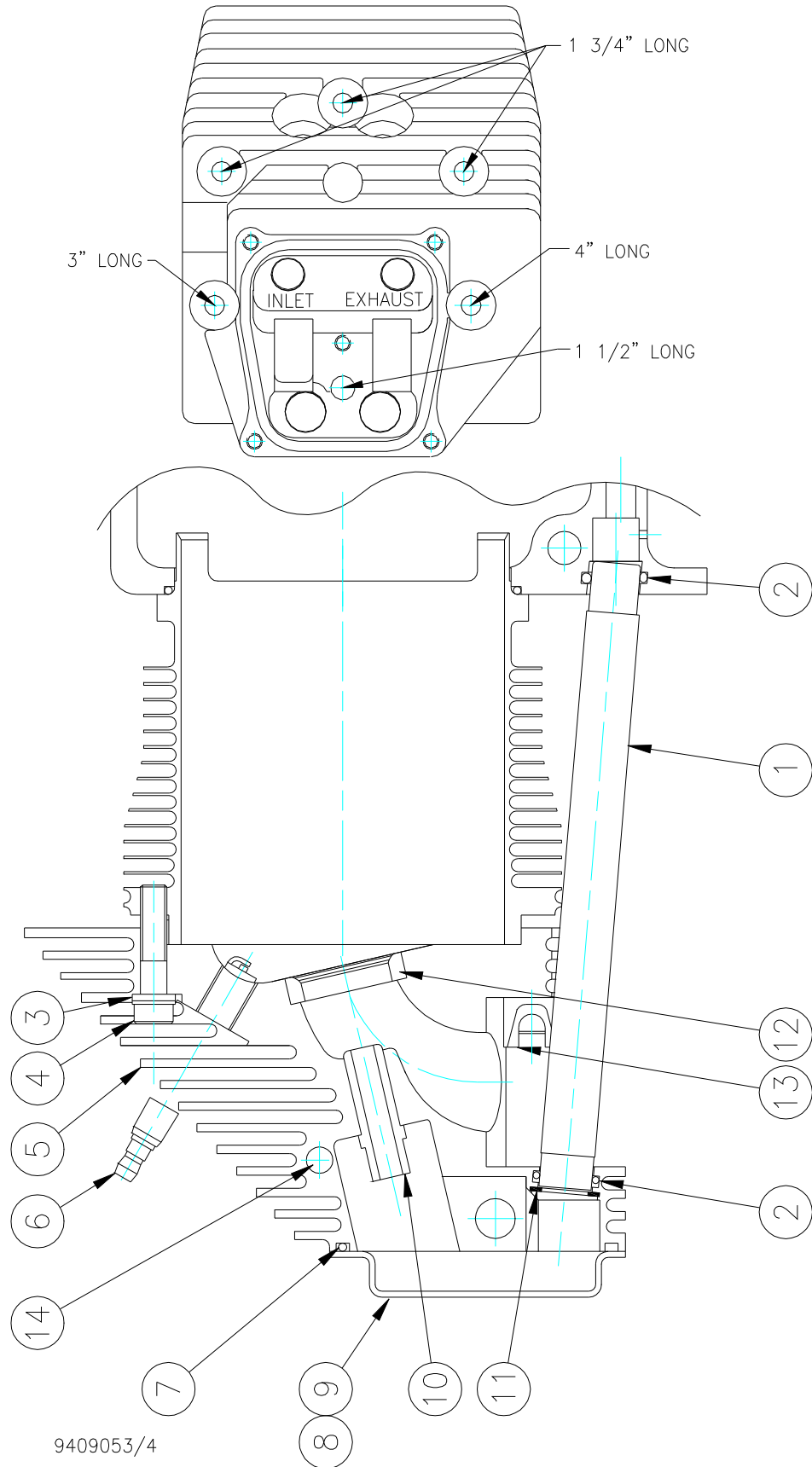
ITEM	PART #	ISS	DESCRIPTION	QTY	
1	4633074	2	TUBE PUSH ROD COVER	12	
2	PG10042N		O'RING BS114V	24	
3	452329N	1	WASHER 3.5 X 19 Dia.	24	
	4788004	1	WASHER 3.5 X 19 Dia WITH FLAT	6	
4	PH72C24		CAP SCREW 1 1/2 X 5/16 UNF	6	
	PH0820N		CAP SCREW 1 3/4 X 5/16 UNF	18	
	PH0830N		BOLT 3 X 5/16 UNF	6	
	PH0840N		BOLT 4 X 5/16 UNF	6	
5	4781002	1	HEAD OFFSET FINS to S/N 33A223	6	NSS
	4903012	1	HEAD NEW CHAMBER from S/N 33A224	6	NSS
	PH9852N		PLUG 1/8 NPT	6	
6	PI10582N		SPARK PLUG	12	
7	PG0168N	1	O'RING BS237V	6	
8	4641084	2	ROCKER COVER	6	
9	PH72624		CAP SCREW 5/8 X 1/4 UNC	24	
	AN960-416		WASHER	24	
10	4590074	4	VALVE GUIDE	12	
11	PH0515N		CIRCLIP (20 INT)	12	
12	4659084	2	VALVE SEAT INSERT INLET	6	
	4660084	2	VALVE SEAT INSERT EXHAUST	6	
13	4747094	4	WASHER BETWEEN PORTS	6	
14	4686084	3	LUBE PIPE 30.5 LONG	8	

Cylinder Head Assemblies available incorporating :  
 Cylinder Head  
 Valve Guides  
 Valve Seat Inserts

Note: Oversize valve guides available, use std P/N & specify 0.05, 0.10, 0.15  
 Oversize. Identification is by 1, 2 or 3 dimples on exposed diameter when  
 Fitted to assembled head



# Jabiru 3300 Engine



Section A-6-2

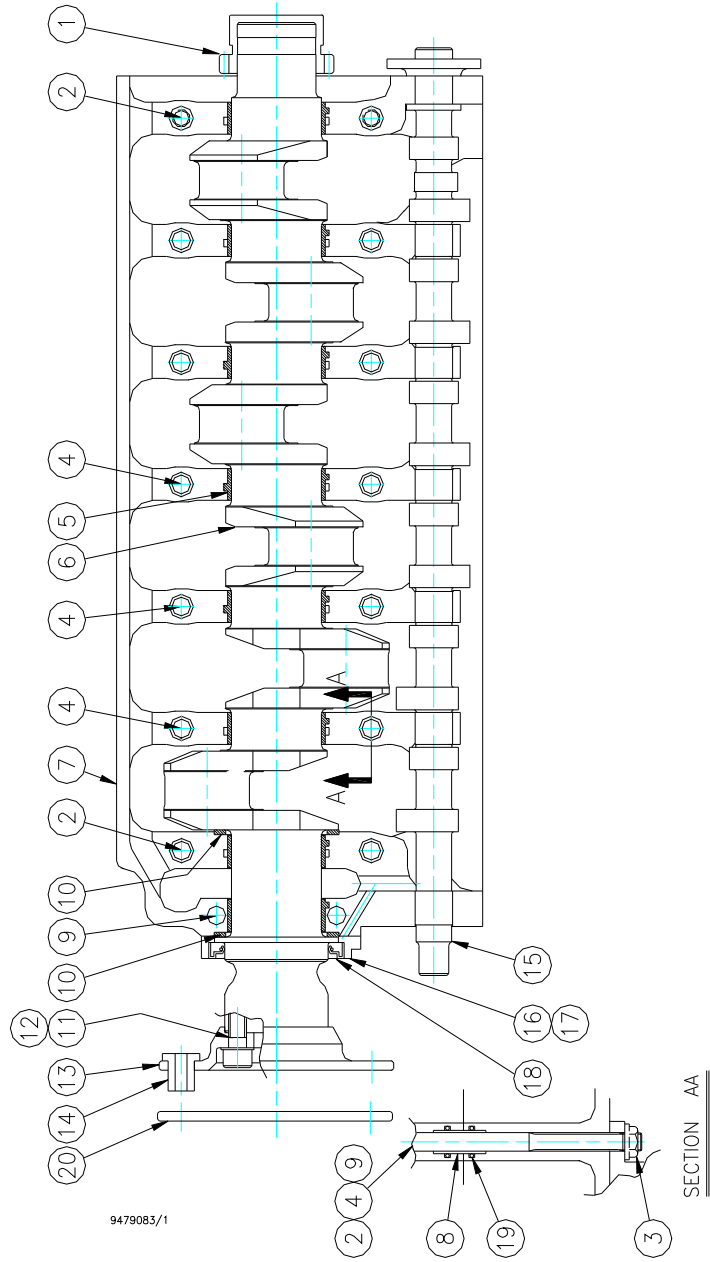
## Jabiru 3300 Engine

### Section B: CRANKSHAFT, CRANKCASE AND CAMSHAFT

ITEM	PART #	ISS	DESCRIPTION	QTY	
1	4643084	2	GEAR CRANKSHAFT	1	
2	4292044	2	STUD SHORT	4	
3	MS21042-6	1	NUT CRANKCASE STUD	18	
4	4291044	2	STUD LONG	10	
5			BEARING SET MAIN	1	
6	4629072	1	CRANKSHAFT	1	
	PH9912N		WELSH PLUG 28 DIA	1	
	PH0646N		WELSH PLUG 7/8 DIA	1	
	PH0636N		GRUB SCREW 1/4 X 1/4 UNF	1	
7	4621072	1	CRANKCASE RS	1	NSS
	4622072	1	CRANKCASE LS	1	NSS
	PH9852N		PLUG 1/8 NPT	1	
8	4347054	6	DOWEL CRANKCASE	14	
9	4293044	2	STUD FRONT	2	
10	PB9942N		THRUST BEARING	2	
11	PH0676N		CAP SCREW 3/4 X 3/8 UNF	6	
12	PH0279N		WASHER	6	
13	4525064	6	FLANGE PROP MOUNT STANDARD	1	
	466218N	1	FLANGE PROP MOUNT 2" EXTENSION	1	
14	4688084	1	GUIDE PROP BOLT	6	
15	4625072	3	CAM SHAFT	1	
	PH10012N		WELSH PLUG 10 DIA	1	
16	4282044	4	HOUSING FRONT OIL SEAL	1	
17	PH0535N		CAP SCREW 3/4 X 1/4UNC	4	
18	PG9872N		OIL SEAL	1	
19	PG0035N		'O'RING BS112V	10	
20	4081223	3	PLATE PROP MOUNT	1	

Crankcase halves are not sold separately.

# Jabiru 3300 Engine



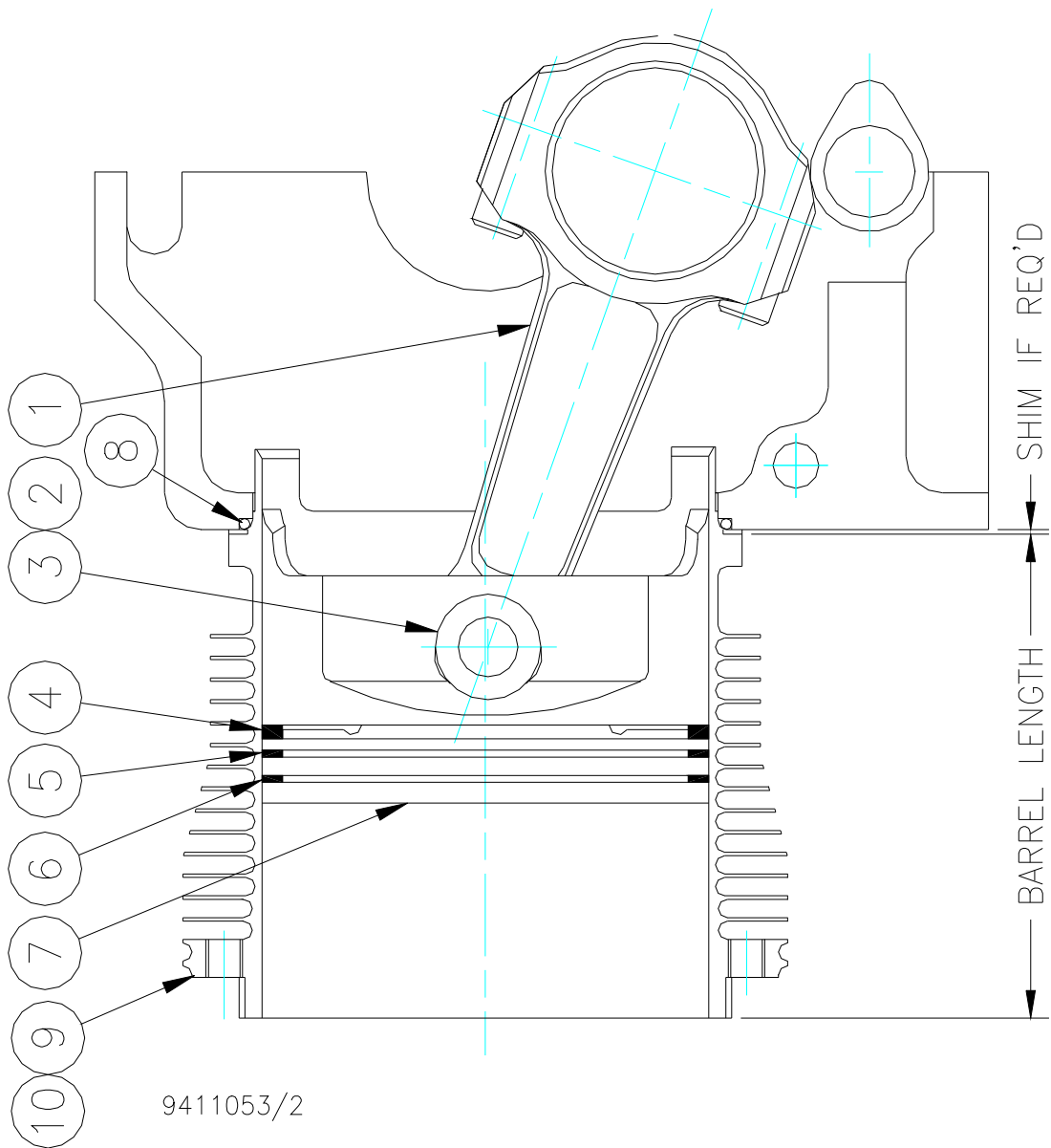
Section B- 2 -2

**Section C: CONROD PISTON AND BARREL**

ITEM	PART #	ISS DESCRIPTION	QTY	
1	4651084	1 CONNECTING ROD ASSY CONSISTS OF :-	6	
	4651183	2 CONNECTING ROD	1	NSS
	4651284	2 CAP CONNECTING ROD	1	NSS
	PB0055N	BEARING	0.25	NSS
	PH72E24	1 CAP SCREW 1 X 5/16 UNF	2	
	PB0045N	DOWEL	2	
2	4299054	4 GUDGEON PIN	6	
3	PG00454	CIRCLIP 23	12	
4	PG0055N	PISTON RING OIL SCRAPER	12	
5	PG0065N	PISTON RING #2	6	
6	PG0075N	PISTON RING #1	6	
	PG0085N	RING EXPANDER	6	
7	4685083	1 PISTON up to S/N 33A223	6	
	4891013	1 PISTON NEW CHAMBER from S/N 33A224		
8	PG0025N	'O'RING BS155V	6	
9	4554062	5 BARREL 106.5 (Length) Up to S/N 33A153	6	
	4807002	1 BARREL 107 (Length) From S/N 33A154	6	
10	4679084	1 SHIM BARREL 0.5 THICK	AS REQ'D	

Note: Mixing of Piston types (S/N) not recommended.

Jabiru 3300 Engine

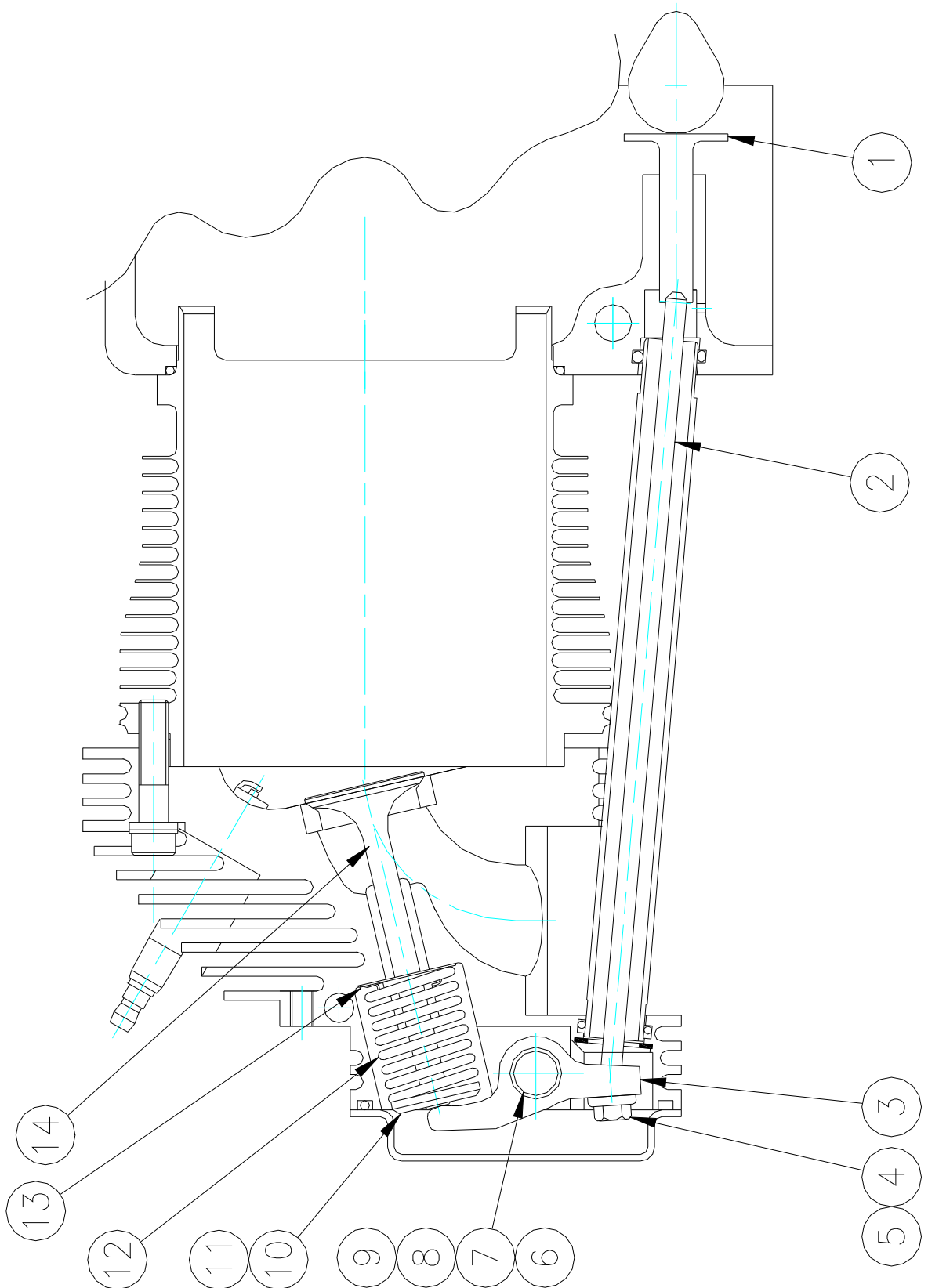


# Jabiru 3300 Engine

## Section D: VALVE ASSEMBLY

ITEM	PART #	ISS	DESCRIPTION	QTY
1	PG92324	1	VALVE LIFTER	12
2	4642084	2	PUSH ROD	12
3	4647084	1	ROCKER - TAPPET #1 LS to S/N33A52	6
	464808N	1	ROCKER - TAPPET #1 RS to S/N33A52	6
	4769094	1	ROCKER - OFFSET #1 LS S/N33A53 ON	6
	477009N	1	ROCKER - OFFSET #1 RS S/N33A53 ON	6
4	MS21042L6	1	LOCK NUT	12
5	4593074	3	ADJUSTING SCREW	12
6	4594074	2	ROCKER SHAFT	6
7	R59452		'O'RING 12 dia	12
8	PB0035N		BUSH	12
9	PH0505N		CAP SCREW 1 X 1/4UNC	6
10	4604074	1	TOP SPRING WASHER	12
11	4605074	2	VALVE COLLET	24
12	PG71E24	1	VALVE SPRING	12
13	PG71C24	1	VALVE SPRING BOTTOM SEAT	12
14	4595074	1	INLET VALVE	6
	4596074	1	EXHAUST VALVE	6

Jabiru 3300 Engine



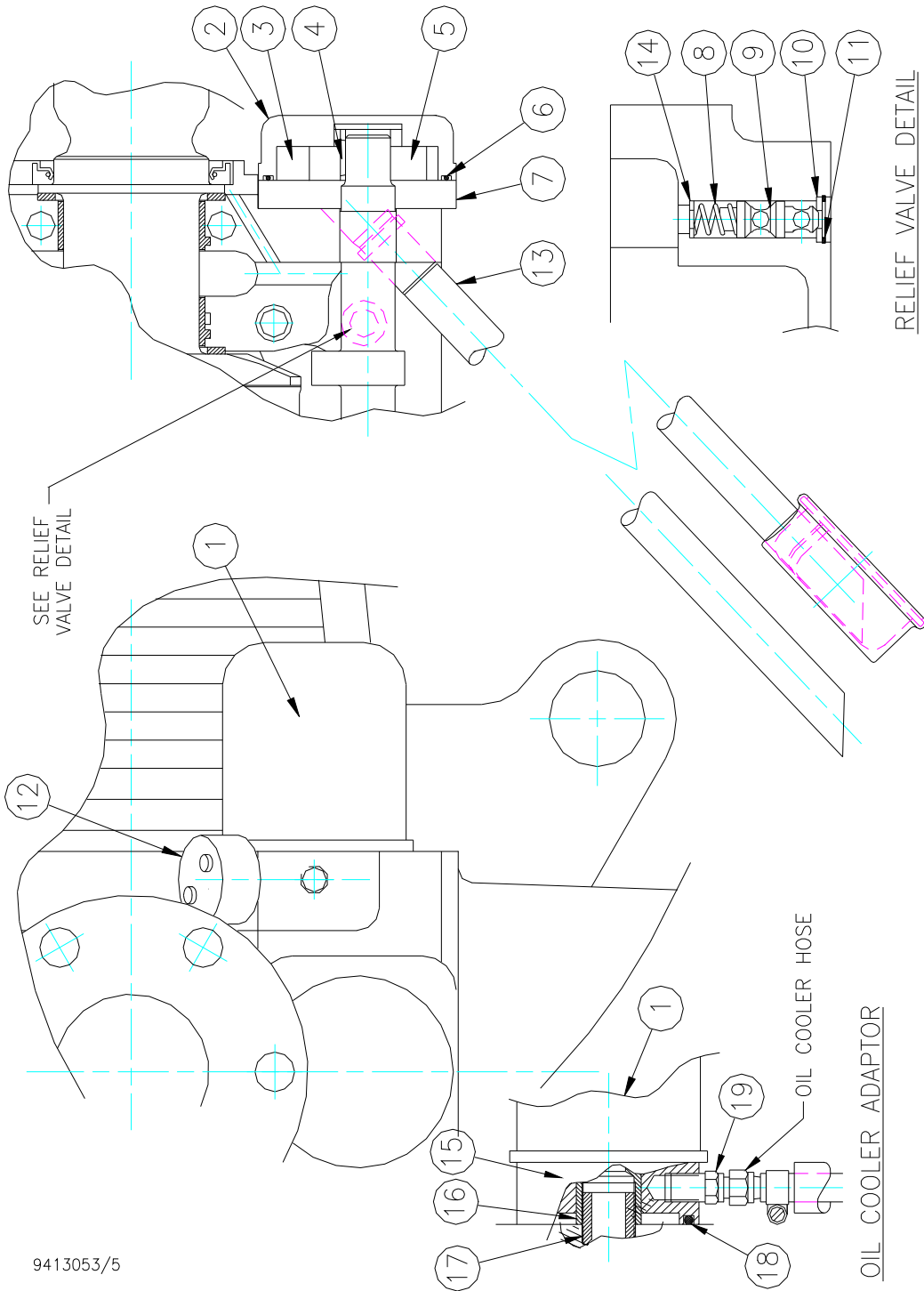
9412053/2

**Section E: LUBRICATION SYSTEM**

ITEM	PART #	ISS	DESCRIPTION	QTY	
1	PG10162N	1	OIL FILTER	1	
2	4652084	3	OIL PUMP HOUSING	1	NSS
	PH0625N		CAP SCREW 1 1/4 X 5/16UNC	4	
3	472606N	1	OIL PUMP OUTER GEAR	1	NSS
4	PH115334	1	KEY WOODRUFF	1	
5	466108N	1	OIL PUMP INNER GEAR	1	NSS
6	PG10122N		'O'RING BS143V	1	
7	4280044	5	BACKING PLATE	1	
8	PX101324	1	SPRING PRESSURE RELIEF	1	
9	4536064	3	VALVE RELIEF	1	
10	PH06864	1	WASHER	1	
11	PH10142N		CIRCLIP	1	
12	PI10182N		OIL PRESSURE SENDER	1	
13	4649084	1	OIL PICKUP TUBE	1	
	PG10042N		'O'RING BS114V	1	
	4796004	1	OIL PICKUP & STRAINER	1	
			Consists of:		
	4796104	1	OIL PICKUP BODY	1	
	4796204	1	OIL PICKUP TUBE	1	
	4584364	2	MESH SCREEN OIL PICKUP	1	
14	AN960-416		WASHER (OPTION)	1	
15	4581064	5	ADAPTOR OIL COOLER	1	
16	4580064	4	THREADED ADAPTOR	1	
17	4120534	2	FITTING OIL FILTER	1	
18	PG0137N		'O'RING BS227V	1	
19	PZ0086N		HOSETAIL NIPPLE 1/8 NPT – 5/16	2	



Jabiru 3300 Engine



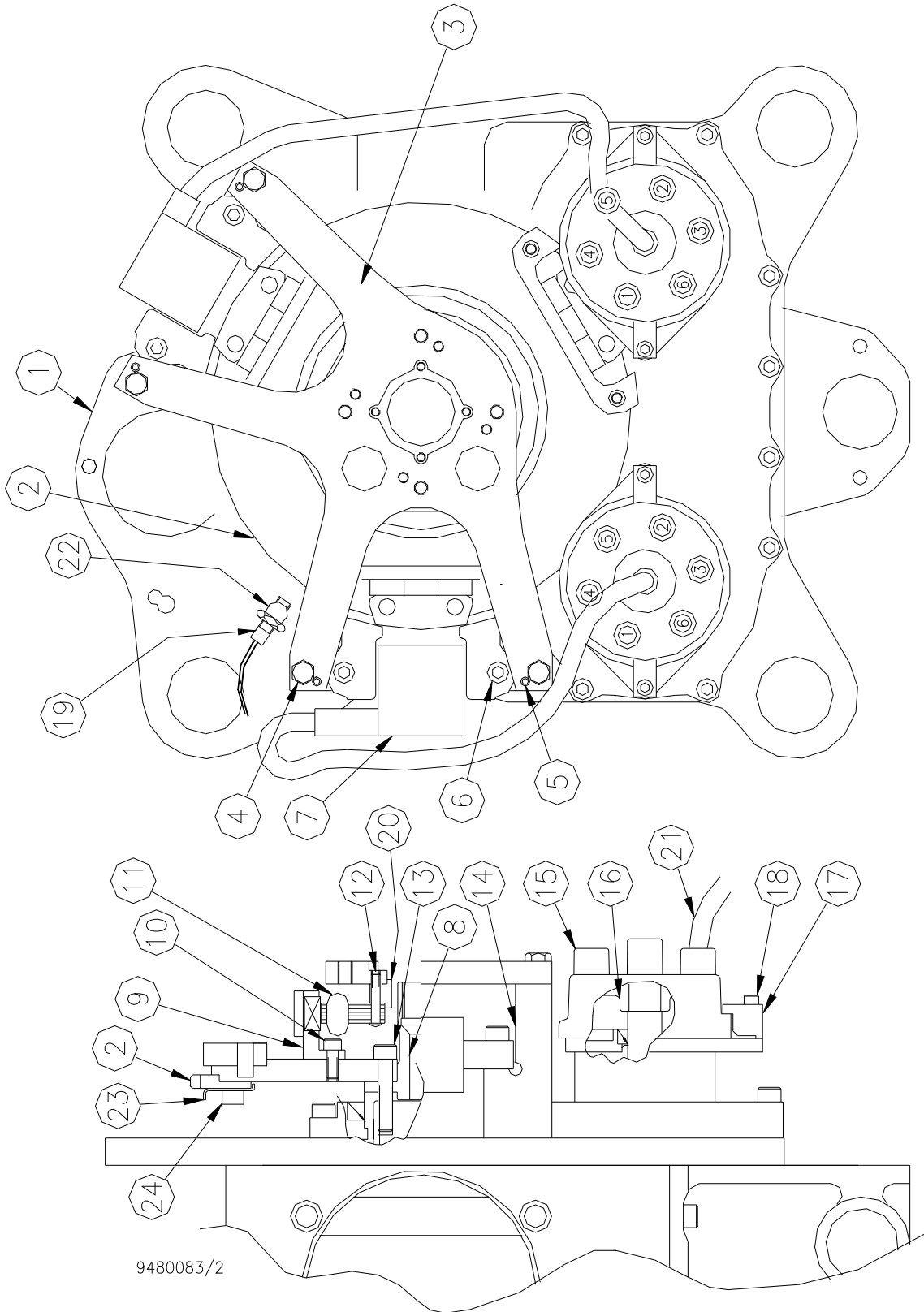
9413053/5

Jabiru 3300 Engine

**Section F: FLYWHEEL & IGNITION SYSTEM**

ITEM	PART #	ISS DESCRIPTION	QTY	
1	4628073	4 REAR PLATE ENGINE MOUNT to S/N33A48	1	
	4734093	1 REAR PLATE ENGINE MOUNT from S/N33A49	1	
2	4626073	1 FLYWHEEL ASSY CONSISTS OF :-	1	
	4626173	1 FLYWHEEL	1	
	4315054	5 POLE PLATE CENTRE	3	NSS
	4316054	4 POLE PLATE OUTER	3	NSS
	PM0065N	1 MAGNET	9	NSS
	PH0747N	C'SK SKT SCREW 1/2 X 1032	12	NSS
	4066423	6 RING GEAR	1	
3	4627073	3 ALTERNATOR MOUNT	1	NSS
4	AN4-37A	BOLT	4	
5	PG9862	ROLL PIN 5/32 X 3/8	8	
6	PH0505N	CAP SCREW 1 X 1/4UNC	4	
7	PII0522N	1 COIL – IGNITION	2	
8	4646084	1 SPACER FLYWHEEL & VAC. DRIVE	1	
9	4664084	1 ALTERNATOR BODY ASSY To S/N 33A163 3 PHASE	1	
	4821004	1 ALTERNATOR BODY ASSY From S/N 33A164 SINGLE PHASE	1	
	PH10372N	ROLL PIN 5/8 X 1/8 DIA	4	
10	PH0696N	CAP SCREW 1/2 X 3/16 UNC	4	
11	4665084	1 STATOR ASSY 3 PHASE To S/N 33A163	1	
	4665084	1 STATOR ASSY 1 PHASE FROM S/N 33A164	1	
12	MS35207-267	SCREW 1" LONG	4	
13	PH0656N	CAP SCREW 1 1/4 X 5/16 UNF	6	
14	4678084	1 MOUNTING BLOCK COIL & REAR PLATE	4	
15	PG0180N	CAP DISTRIBUTOR *GB74	2	
16	PG0190N	ROTOR *BH73	2	
17	4096124	1 CLIP DISTRIBUTOR CAP (23 Long)	4	
	4881014	1 CLIP DISTRIBUTOR CAP (20 Long)	4	
18	PH72B24	CAP SCREW 1 1/4 X 3/16 UNC	4	
19	PI11763N	TACHO SENDER	1	
20	4666084	4 SPACER STATOR MOUNTING	1	
21	PI119034	HT LEAD KIT	1	
22	4389054	1 POST TACHO SENDER to S/N 33A223	1	
	4884014	1 POST TACHO SENDER from S/N 33A224	1	
23	4885014	1 TACHO PICKUP from S/N 33A224	2	
24	PH1021N	CAP SCREW 1/2 X 1/4 UNC	6	

Jabiru 3300 Engine



## Jabiru 3300 Engine

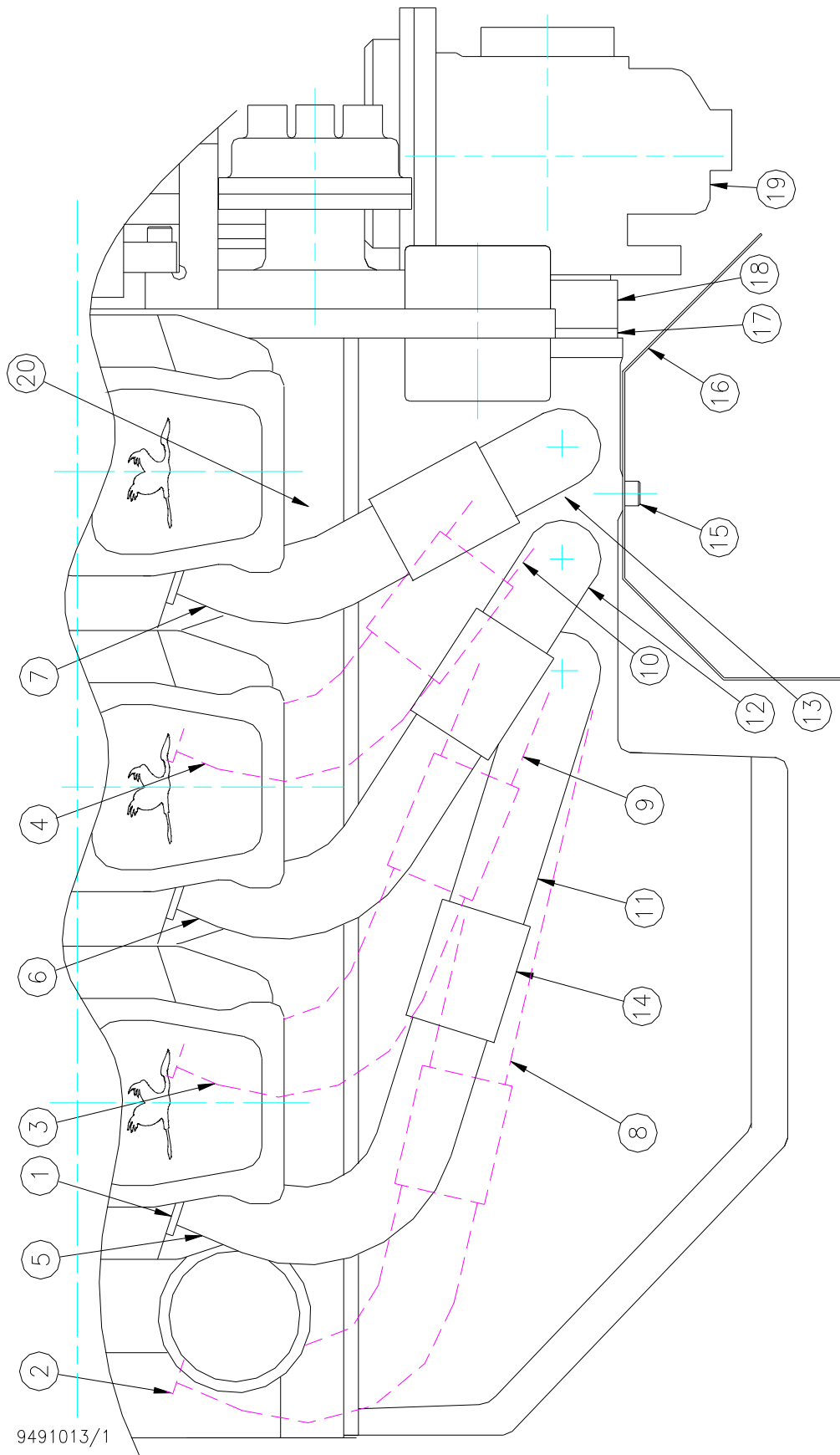
### Section G: INDUCTION SYSTEM

ITEM	PART #	ISS	DESCRIPTION	QTY	
1	4109824	2	GASKET	6	
2		1	INDUCTION PIPE # 1 TOP	1	NSS
	PH0535N		CAP SCREW 3/4 X 1/4UNC	18	
3		1	INDUCTION PIPE # 3 TOP	1	NSS
4		1	INDUCTION PIPE # 5 TOP	1	NSS
5		1	INDUCTION PIPE # 2 TOP	1	NSS
6		1	INDUCTION PIPE # 4 TOP	1	NSS
7		1	INDUCTION PIPE # 6 TOP	1	NSS
8		1	INDUCTION PIPE # 1 BOTTOM	1	NSS
	PG10212N		O'RING BS124V	6	
9		1	INDUCTION PIPE # 3 BOTTOM	1	NSS
10		1	INDUCTION PIPE # 5 BOTTOM	1	NSS
11		1	INDUCTION PIPE # 2 BOTTOM	1	NSS
12		1	INDUCTION PIPE # 4 BOTTOM	1	NSS
13		1	INDUCTION PIPE # 6 BOTTOM	1	NSS
14	PV102924	1	HOSE INDUCTION	6	
	PG102924		CLAMP	12	
15	PH72624		CAP SCREW 5/8 X 1/4 UNC	2	
16	4690084	3	HEAT SHIELD	1	
17	4667084	1	ADAPTOR SUMP - CARBY	1	
18	4691084	1	COUPLING RUBBER	1	
19	4886014	1	CARBY ASSY 40 DIA	1	
20	4567064	4	FUEL PUMP (Not illustrated)	1	
	PH72624		CAP SCREW 5/8 X 1/4UNC	2	
	4510054	2	PUSH ROD FUEL PUMP	1	
	2650-8FG		FIRE SLEEVE	0.35	
	PT0019N		FUEL HOSE	0.35	
	PZ0059N		CLAMP	2	

Note: Induction pipes not sold separately order as P/N SET 4 FOR 3300

Up to S/N 33A67

Jabiru 3300 Engine



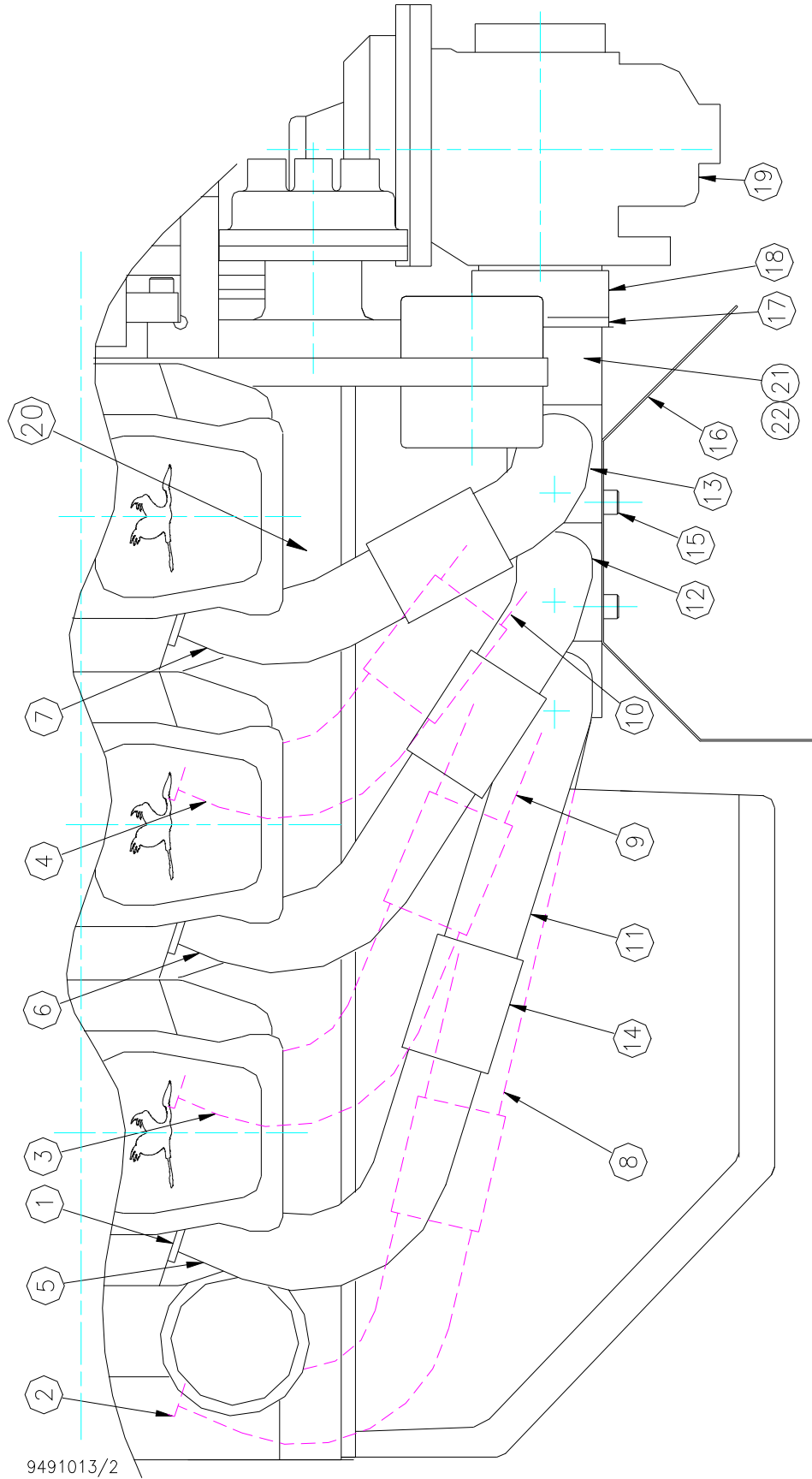
Jabiru 3300 Engine

**Section G: INDUCTION SYSTEM**

ITEM	PART #	ISS	DESCRIPTION	QTY
1	4109824	2	GASKET	6
2	4748093	1	INDUCTION PIPE # 1 TOP	1
	PH0535N		CAP SCREW 3/4 X 1/4UNC	18
3	4750093	1	INDUCTION PIPE # 3 TOP	1
4	4752093	1	INDUCTION PIPE # 5 TOP	1
5	4749053	1	INDUCTION PIPE # 2 TOP	1
6	4751093	1	INDUCTION PIPE # 4 TOP	1
7	4753093	1	INDUCTION PIPE # 6 TOP	1
8	4754094	1	INDUCTION PIPE # 1 BOTTOM	1
	PG10212N		O'RING BS124V	6
9	4756094	1	INDUCTION PIPE # 3 BOTTOM	1
10	4887014	1	INDUCTION PIPE # 5 BOTTOM	1
11	4755094	1	INDUCTION PIPE # 2 BOTTOM	1
12	4757094	1	INDUCTION PIPE # 4 BOTTOM	1
13	4758094	1	INDUCTION PIPE # 6 BOTTOM	1
14	PV102924	1	HOSE INDUCTION	6
	PG102924		CLAMP	12
15	PH0615N		CAP SCREW 2 X 1/4 UNC	5
16	4690084	3	HEAT SHIELD	1
17	4667084	1	ADAPTOR SUMP - CARBY	1
18	4691084	1	COUPLING RUBBER	1
19	4886014	1	CARBY ASSY 40 DIA	1
20	4567064	4	FUEL PUMP (Not illustrated)	1
	PH72624		CAP SCREW 5/8 X 1/4UNC	2
	4510054	2	PUSH ROD FUEL PUMP	1
	2650-8FG		FIRE SLEEVE	0.35
	PT0019N		FUEL HOSE	0.35
	PZ0059N		CLAMP	2
21	4773093	6	INDUCTION BODY HALF	2
22	4773194	2	DIFFUSER	1

From S/N 33A68

# Jabiru 3300 Engine



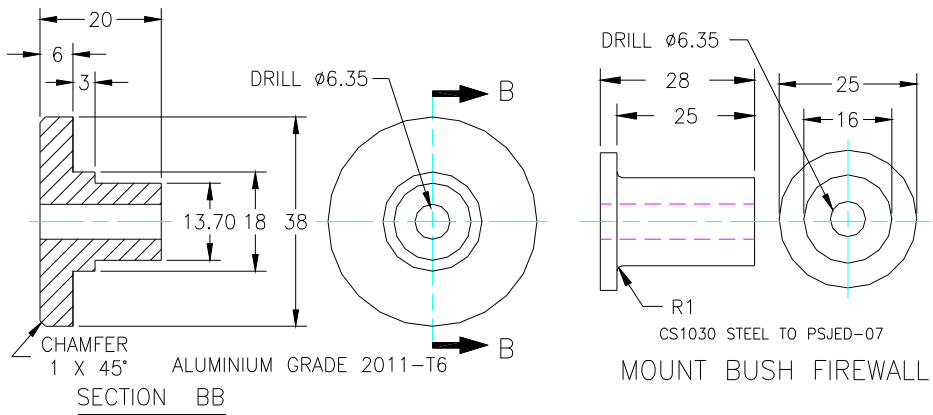
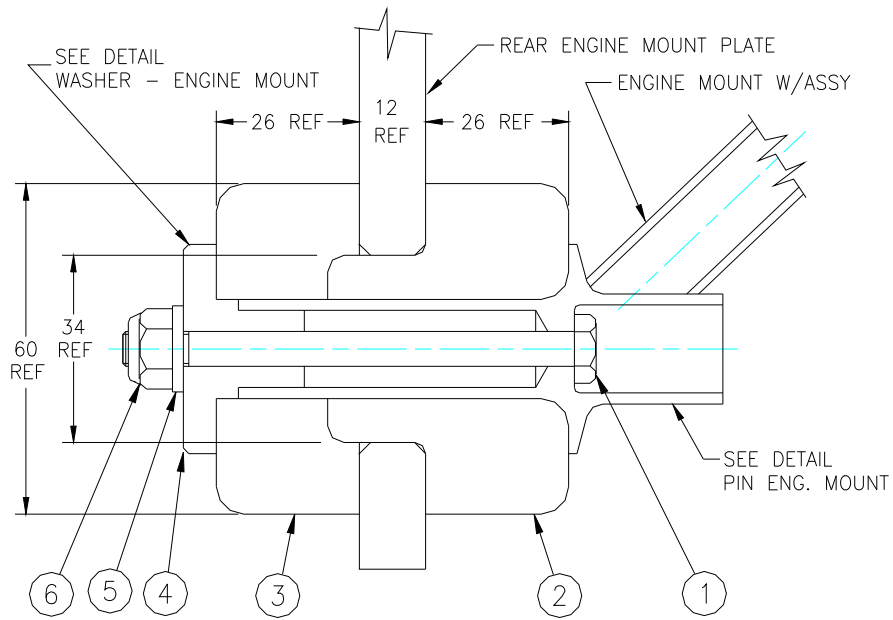
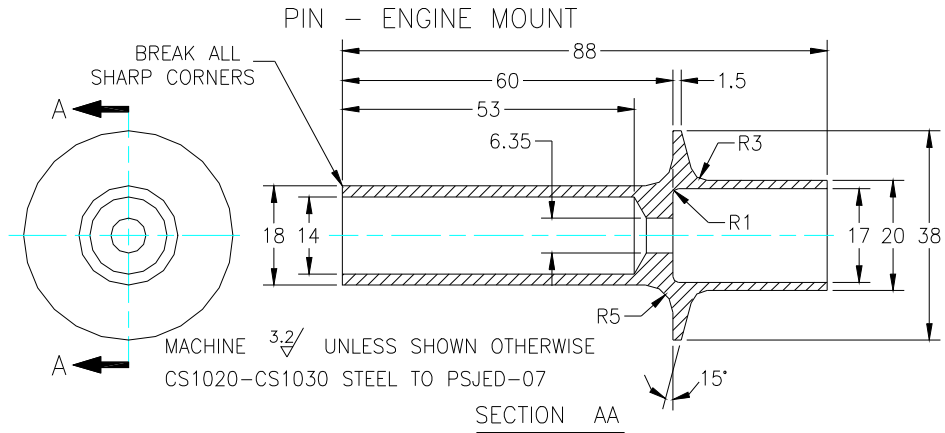
9491013/2

**Section H: ENGINE MOUNT ASSEMBLY**

ITEM	PART #	ISS	DESCRIPTION	QTY
1	AN4-31A		BOLT	4
2	PG10712N		CUSHION MOUNT FEMALE	4
3	PG10722N		CUSHION MOUNT MALE	4
4	4094224	2	WASHER ENGINE MOUNT	4
5	AN960-416		WASHER	4
6	MS21042-4		NUT	4



# Jabiru 3300 Engine



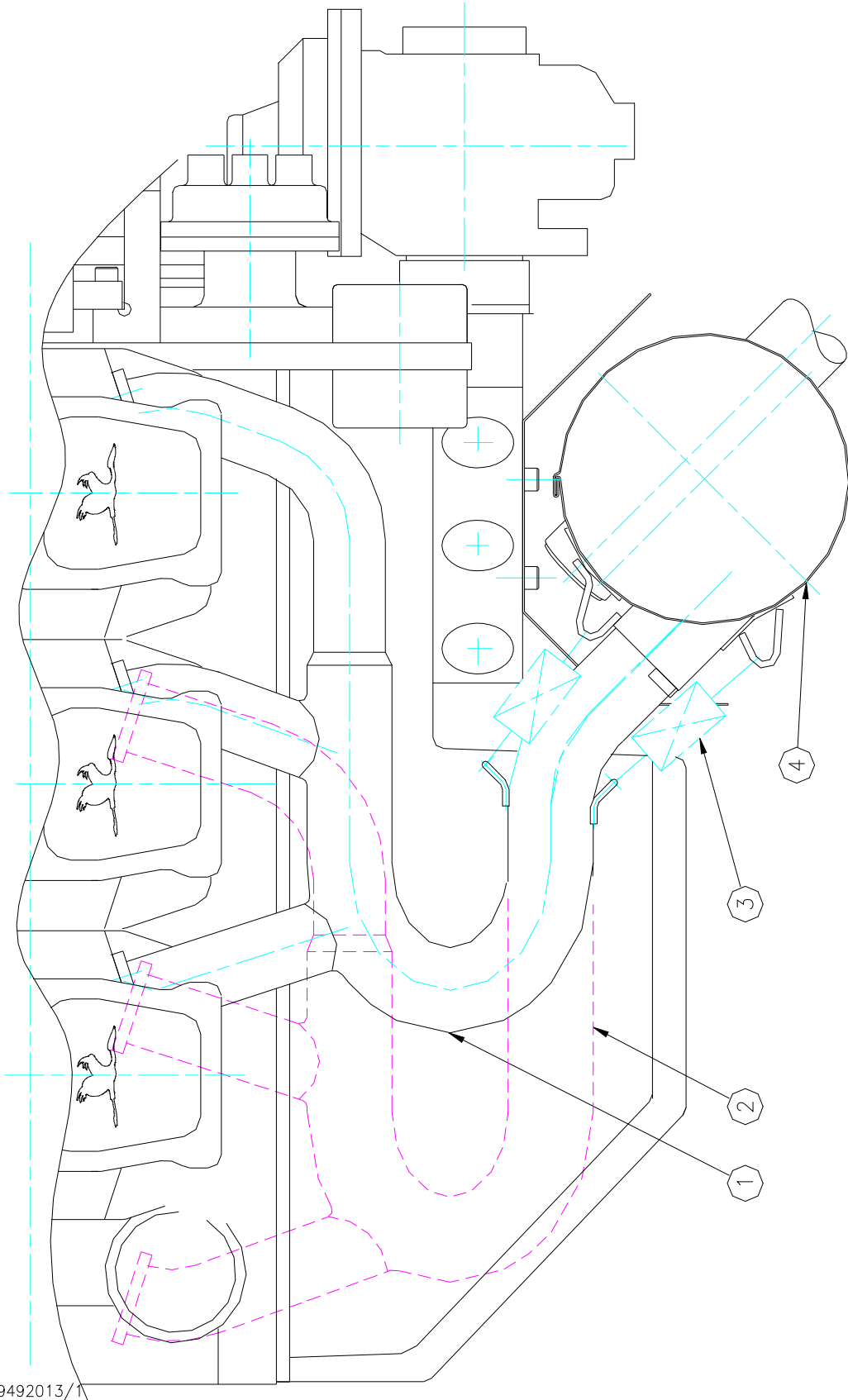
WASHER - ENGINE MOUNT

9467073/1

**Section I: EXHAUST & MUFFLER – TRACTOR**

ITEM	PART #	ISS	DESCRIPTION	QTY
1	4681083	2	EXHAUST MANIFOLD LS	1
	4103224	2	GASKET EXHAUST PIPE	6
	PH0535N		CAP SCREW 3/4 X 1/4 UNC	18
2	4682083	2	EXHAUST MANIFOLD RS	1
3	PE01094	1	SPRING	4
4	4795003	1	MUFFLER ASSY	1

Jabiru 3300 Engine



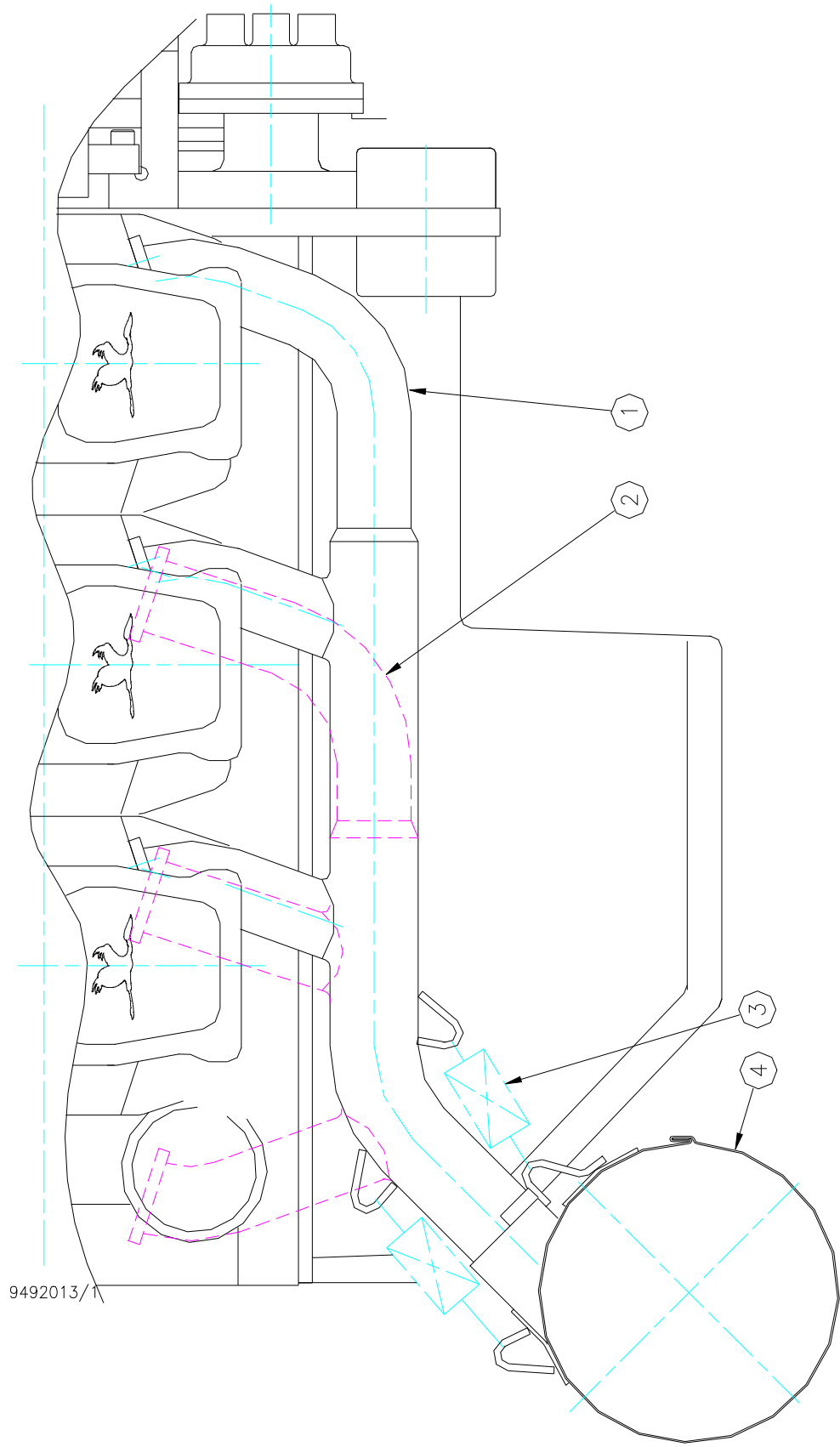
9492013/1

Jabiru 3300 Engine

**Section I: EXHAUST & MUFFLER – PUSHERR**

ITEM	PART #	ISS	DESCRIPTION	QTY
1	480500N	2	EXHAUST MANIFOLD LS	1
	4103224	2	GASKET EXHAUST PIPE	6
	PH0535N		CAP SCREW 3/4 X 1/4 UNC	18
2	480600N	2	EXHAUST MANIFOLD RS	1
3	PE01094	1	SPRING	4
4	4746093	1	MUFFLER ASSY (outlet pipes not welded in)	1

# Jabiru 3300 Engine



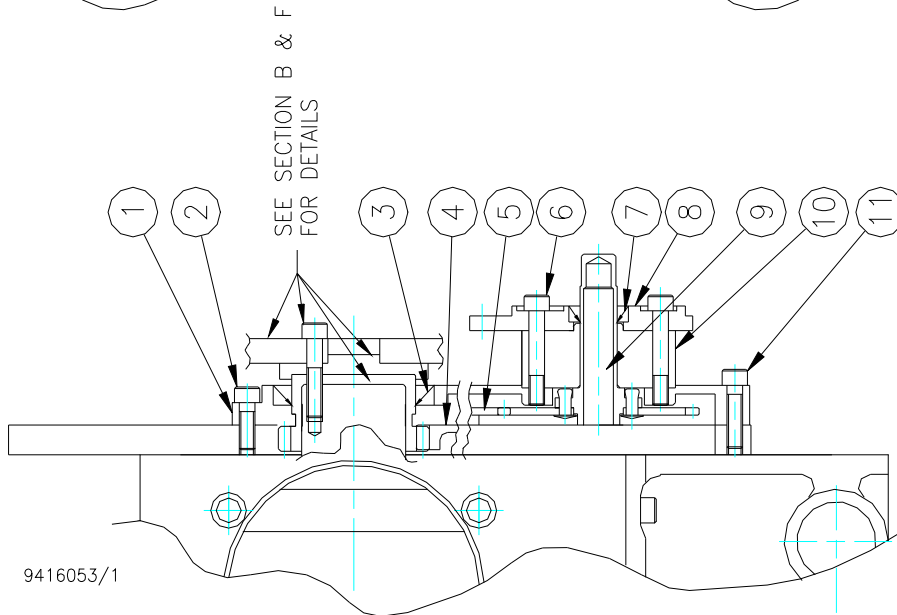
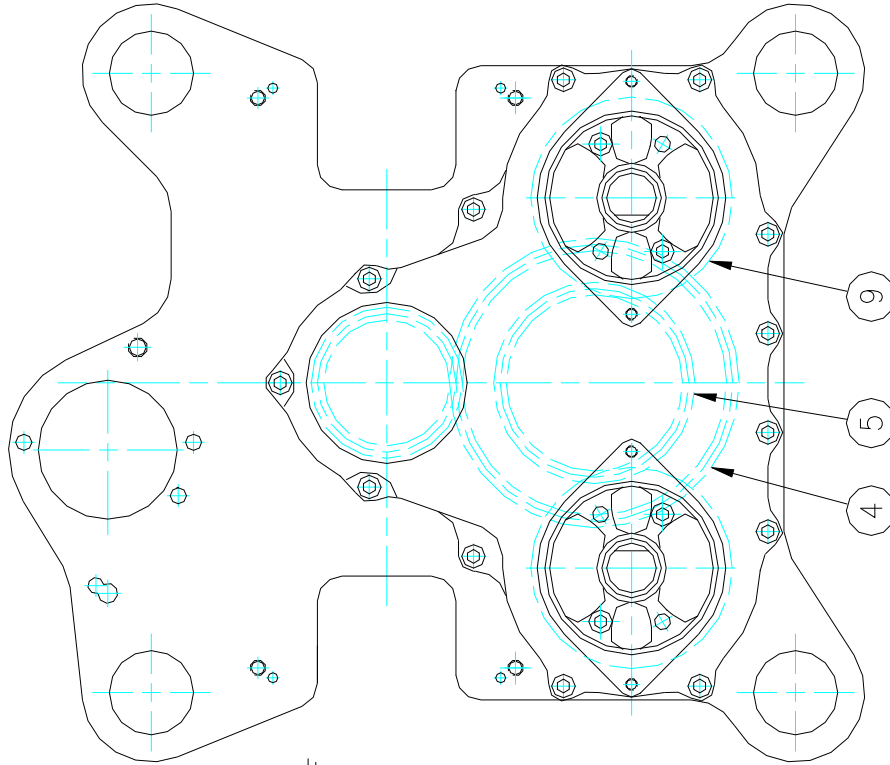
9492013/1

Jabiru 3300 Engine

**Section J: GEARBOX ASSEMBLY**

ITEM	PART #	ISS	DESCRIPTION	QTY	
1	4631073	2	GEAR HOUSING	1	
2	PH0535N		CAP SCREW 3/4 X 1/4UNC	3	
3	PG10612N		SEAL REAR	1	
4	4066123	4	GEAR INNER CAMSHAFT	1	
5	4333054	3	GEAR OUTER CAMSHAFT	1	
	PH100224		BOLT AN4H6A	4	
	4538064	2	SPACER CAM TIMING GEARS	1	
6	PH0595N		CAP SCREW 1 1/2 X 1/4UNC	4	
7	PG10622N		SEAL 15 X 24 X 7	2	
8	4656084	1	DISTRIBUTOR CAP MOUNTING PLATE	2	
9	4653084	1	DISTRIBUTOR DRIVE SHAFT ASSY	2	
	CONSISTS OF:				
	4653184	1	DISTRIBUTOR DRIVE SHAFT	1	NSS
	4333054	3	DISTRIBUTOR DRIVE GEAR	1	NSS
	PH0736N		RIVET	4	NSS
10	4632074	3	SPACER DISTRIBUTOR MOUNTING	2	
11	PH1021N		CAP SCREW 1 1/4 X 1/4UNC	8	
12	PH0595N		CAP SCREW 1 1/2 X 1/4UNC	2	

# Jabiru 3300 Engine



9416053/1

Jabiru 3300 Engine

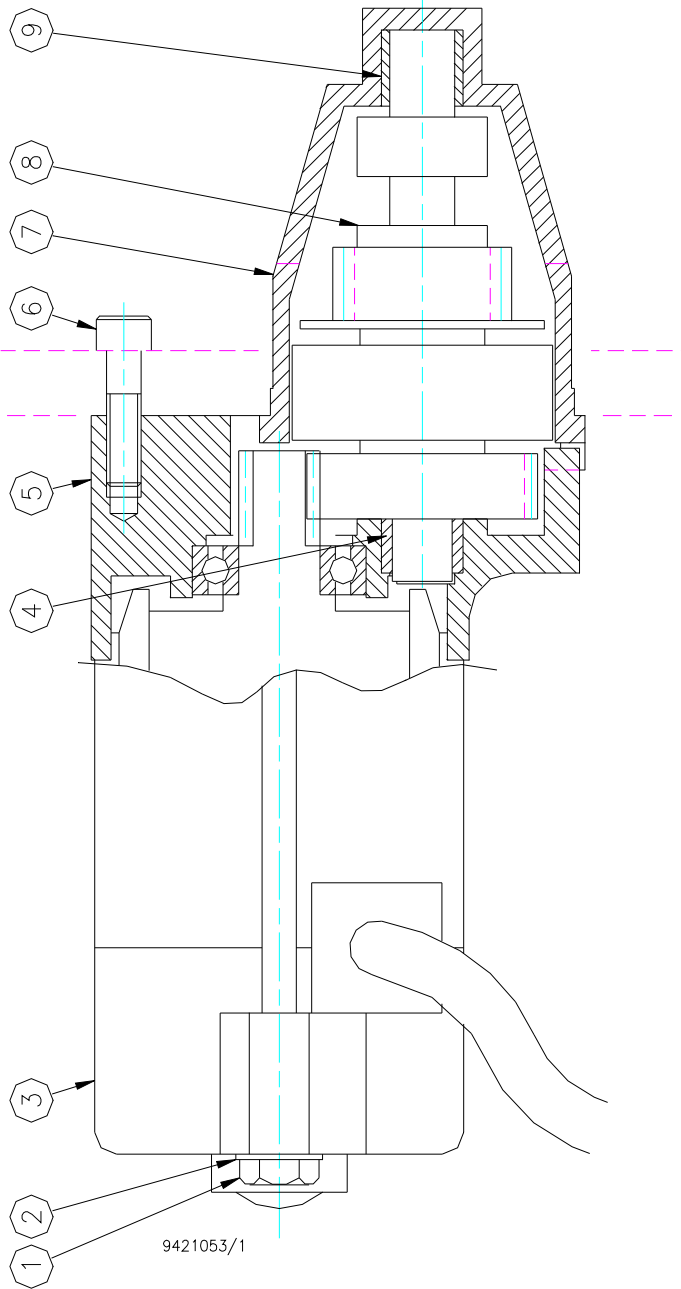
**Section K: STARTER MOTOR**

ITEM	PART #	ISS	DESCRIPTION	QTY
1	AN4-53A		BOLT	2
2	AN960-416		WASHER	2
3	4505053	1	STARTER MOTOR REWORKED	1
4	4063324	4	BUSH INNER STARTER	1
5	4372153	3	HOUSING STARTER MOTOR	1
6	PH0505N		CAP SCREW 1/4 UNC X 1	3
7	4372253	4	CLUTCH HOUSING STARTER	1
8	PM6352N		STARTER CLUTCH	1
9	4063224	3	BUSH OUTER - STARTER	1

Up to S/N 33A58



# Jabiru 3300 Engine



Section K- 2 -2

## Jabiru 3300 Engine

### Section K: STARTER MOTOR

ITEM	PART #	ISS	DESCRIPTION	QTY
1	PM0109N		BOSCH STARTER MOTOR	1
2	4776294	1	BOLT BOSCH STARTER MOTOR	2
3	4776394	1	CASE REWORKED STARTER MOTOR	1
4	4776494	1	STATOR MODIFIED	1
5	4063324	4	BUSH INNER	1
6			BEARING 6003-2RS	1
7	4776193	1	HOUSING BOSCH STARTER	1
8	PH0505N		SOCKET HD SCREW 1 X ¼ UNC	3
9	PM6352N		CLUTCH	1
10	4063224	3	BUSH OUTER - STARTER	1
11	4372253	1	CLUTCH HOUSING	1

From s/n 59 -509 uses Bosch Starter

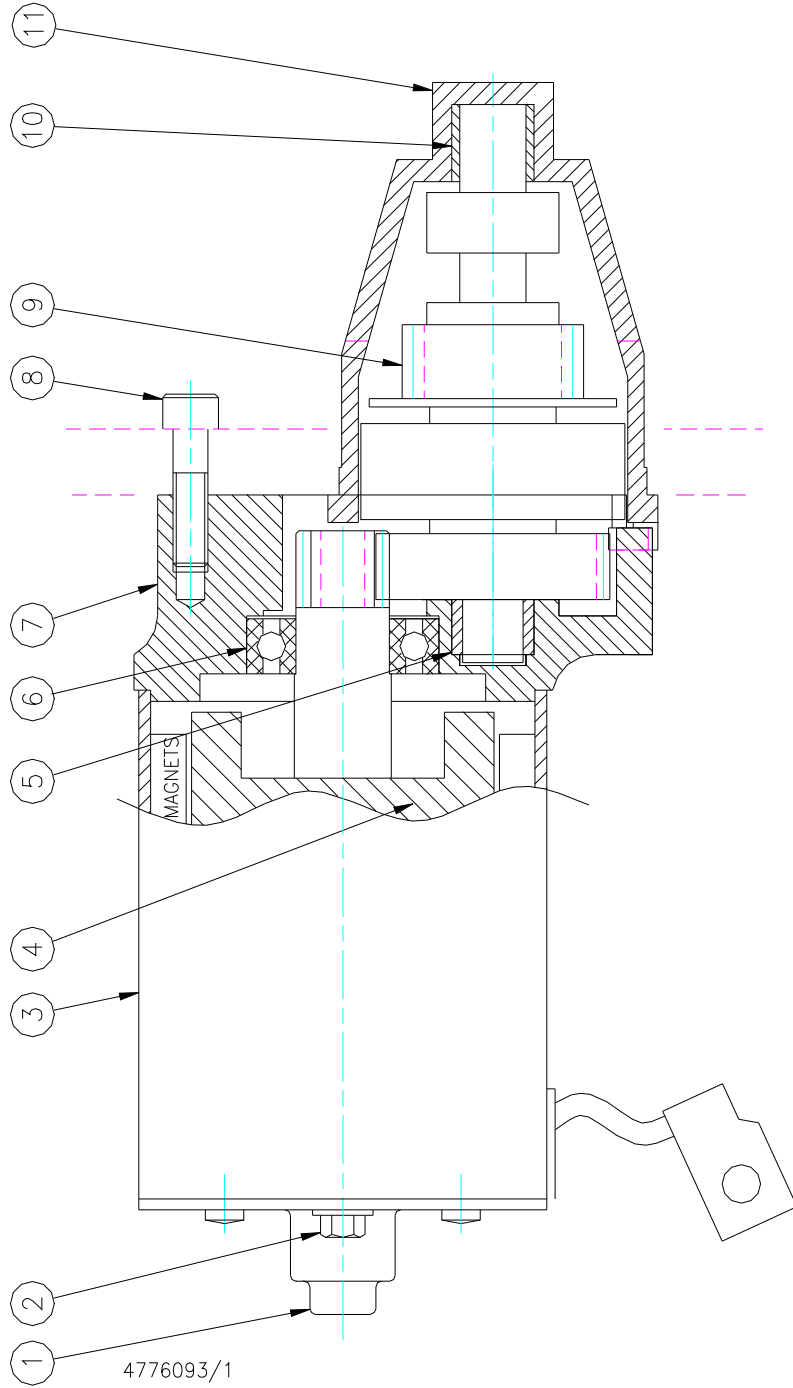
From s/n 510 Nippon Denso type fitted

4A035A0D Nippon Denso Starter Complete without Clutch and Clutch Housing Assembly

4933023 Nippon Denso Starter Complete

# Jabiru 3300 Engine

From S/N 33A59

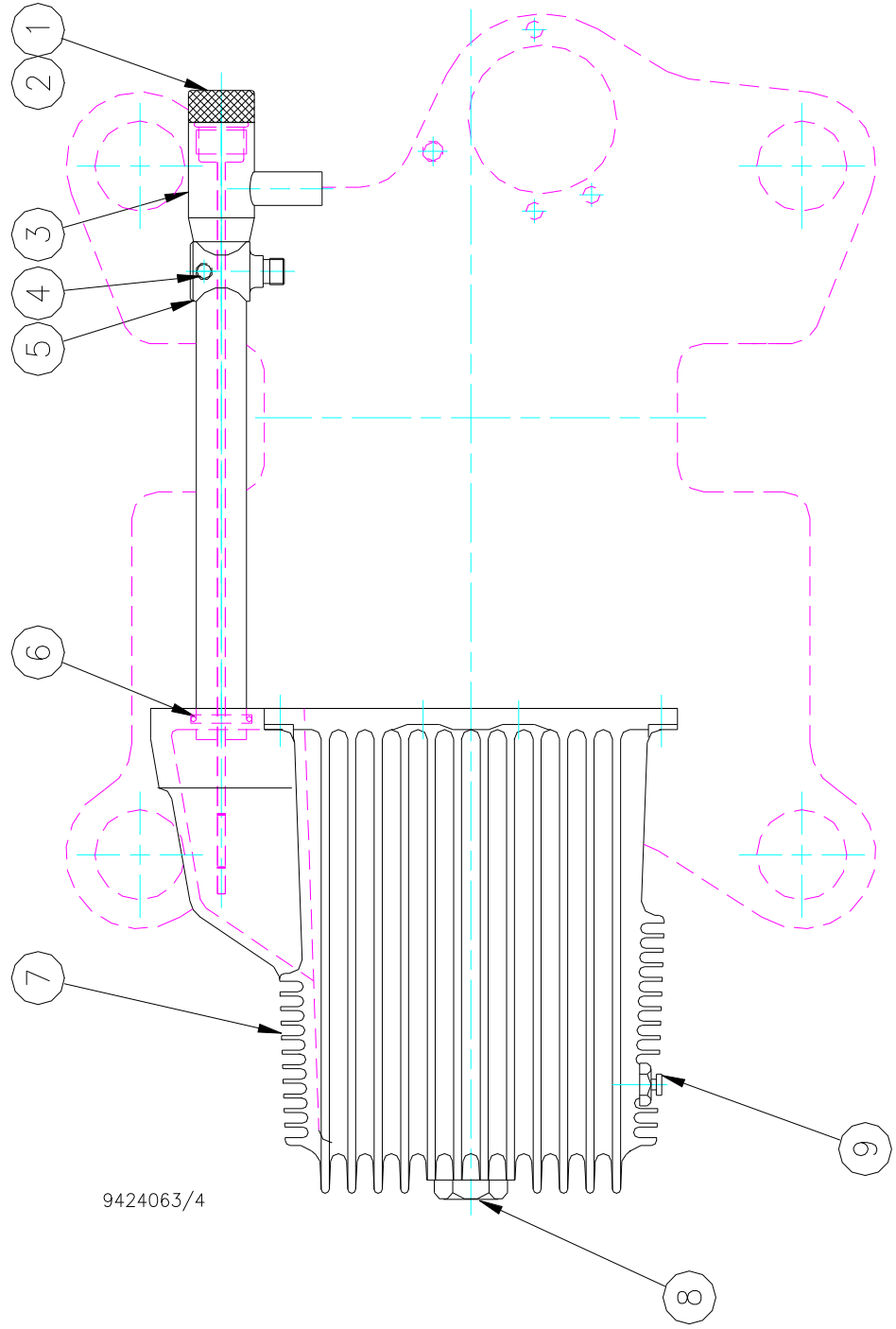


# Jabiru 3300 Engine

## Section L: SUMP DIPSTICK & BREATHER

ITEM	PART #	ISS	DESCRIPTION	QTY
1	4550064	2	DIPSTICK ASSY	1
2	PG10042N		'O'RING BS114V	1
3	4585064	1	HOUSING ASSY	1
4	PH0636N		GRUB SCREW 1/4 UNF X 1/4	1
5	4586064	2	MOUNT ADAPTOR	1
6	PG0148N		'O'RING BS116V	1
7	4635072	1	SUMP W/- PLENIUM UP TO S/N33A67	1
	960409X	3	SUMP NO INDUCTION FROM S/N33A68	1
8	PH117434		SUMP PLUG	1
9	PI10172N		TEMPERATURE SENDER	1

Jabiru 3300 Engine

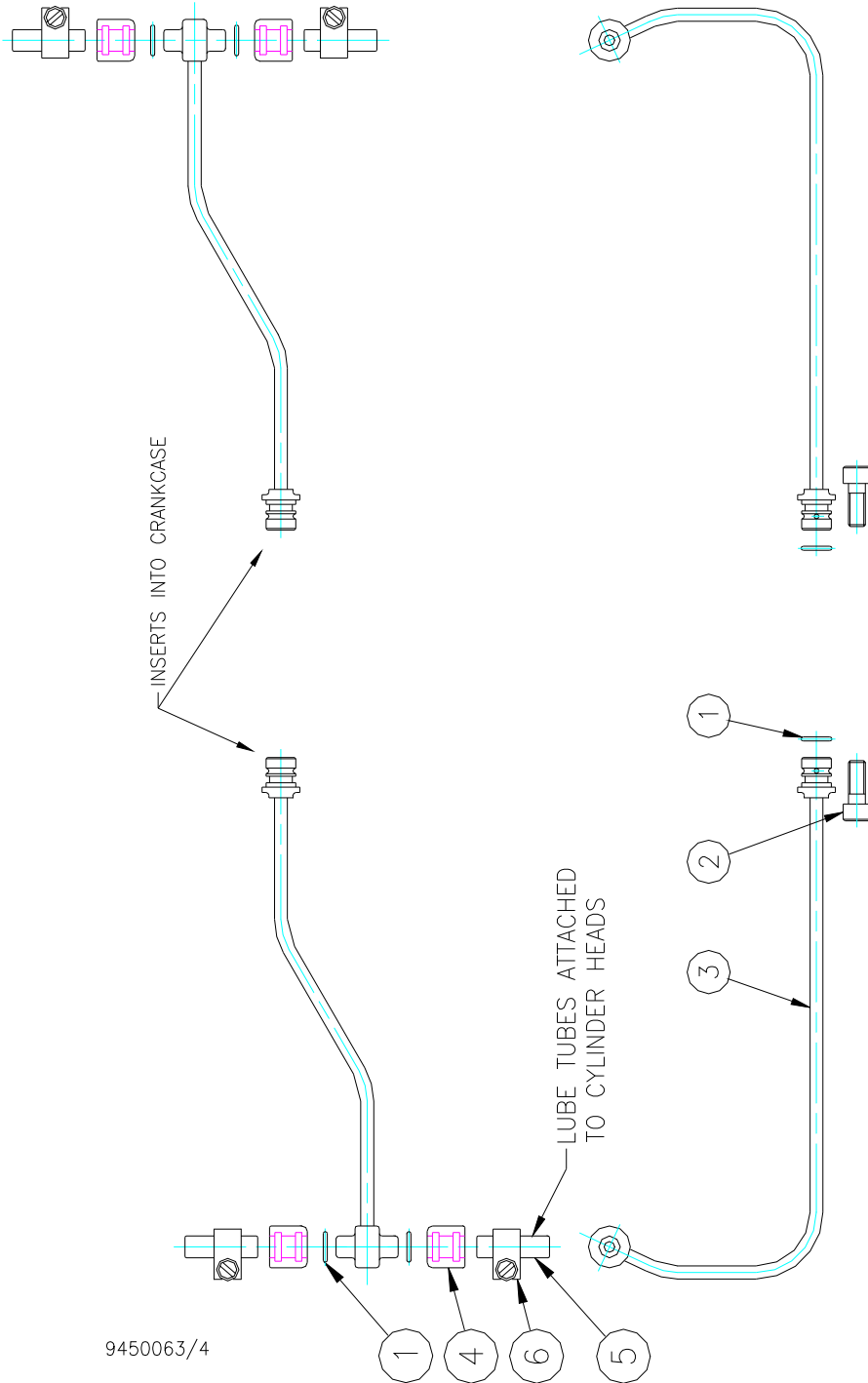


**Section M: ROCKER LUBRICATION & VENTING**

ITEM	PART #	ISS	DESCRIPTION	QTY
1	PG0127N		O'RING BS011V	20
2	PH72624		CAP SCREW	4
3	4710084	1	ROCKER LUBE TUBE ASSY	4
4	4703084	1	COLLAR ROCKER LUBE	8
5	4686084	1	LUBE TUBE	8
6	PZ0059N		HOSE CLAMP	12
			WELSH PLUG 8mm (not illustrated)	4

Up to S/N 33A37

# Jabiru 3300 Engine



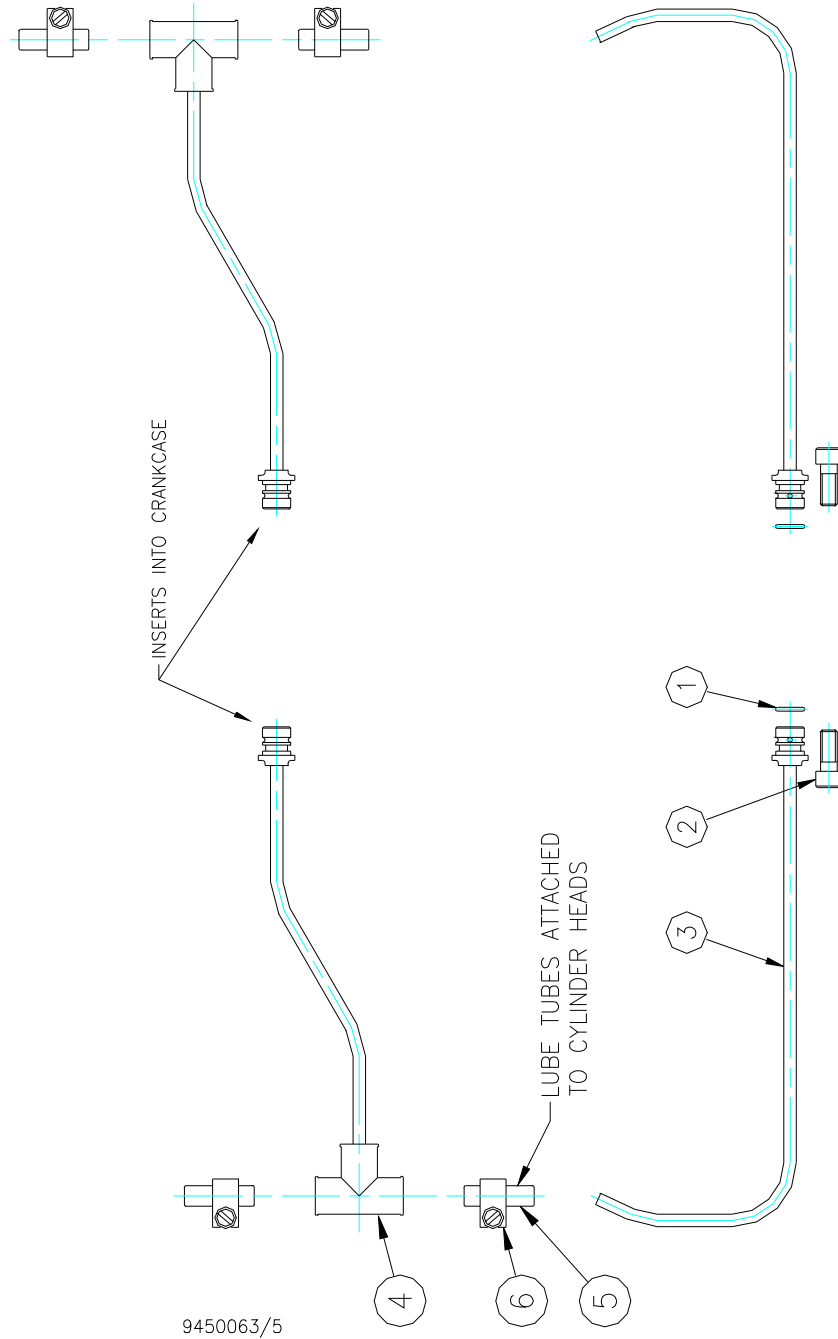
**Section M: ROCKER LUBRICATION & VENTING**

ITEM	PART #	ISS	DESCRIPTION	QTY
1	PG0127N		O'RING BS011V	4
2	PH72624		CAP SCREW	4
3	4761094	1	ROCKER LUBE TUBE ASSY	4
4	4722094	1	MOULDED 'T' ROCKER LUBE	4
5	4686084	1	LUBE TUBE 30.5 LONG	8
6	PZ0059N		HOSE CLAMP	12
			WELSH PLUG 8mm (not illustrated)	4

From S/N 33A38



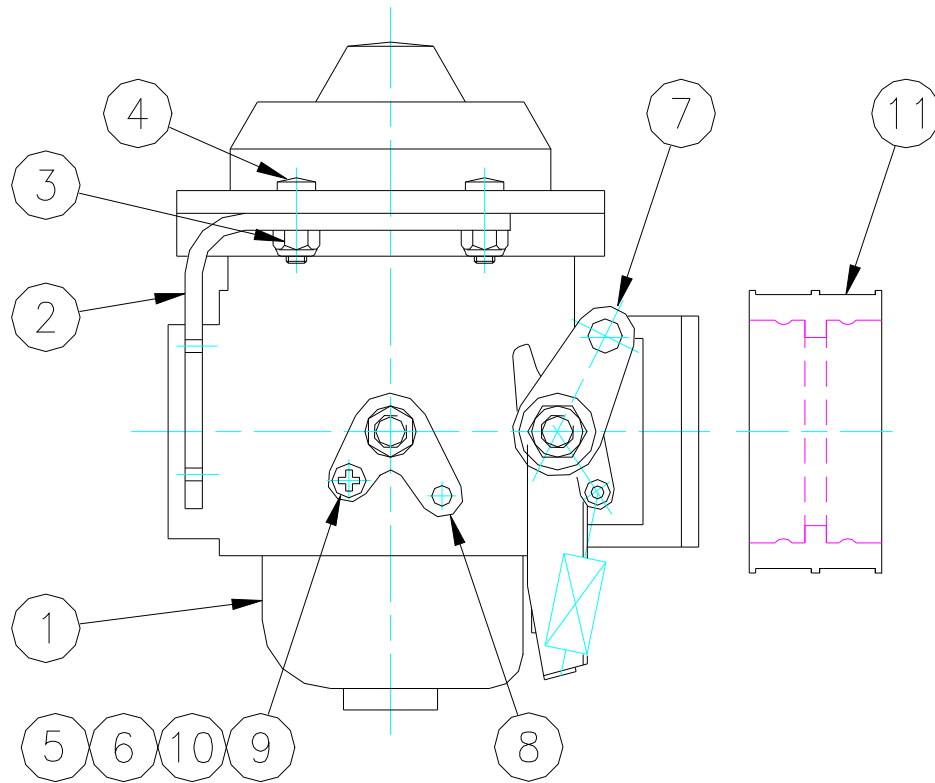
# Jabiru 3300 Engine



**Section N: CARBURETTOR ASSEMBLY**

ITEM	PART #	ISS	DESCRIPTION	QTY
1	PG0180N		CARBURETTOR 40 Dia.	1
2	4116834	3	CABLE MOUNT	1
3	MS21042L3		HEX NUT	2
4	MS27039-1-12		MACHINE SCREW	2
5	PH0219N		FLAT WASHER	1
6	PH0767N		NUT	1
7	4783004	1	THROTTLE LEVER	1
8	4116634	1	CHOKE LEVER	1
9	AN960-10		WASHER	1
10	PH0757N		C'SUNK SCREW	1
11	4691084	1	COUPLING CARBY	1
	4774094	1	CARBY ADAPTOR (not illustrated)	1
	4886014	1	CARBY ASSY	

# Jabiru 3300 Engine



4624074/3

# Jabiru 3300 Engine

## Section O: MISCELLANEOUS ELECTRICAL

ITEM	PART #	ISS DESCRIPTION	QTY
	PI10652N	RECTIFIER/REGULATOR From S/N33A164 SINGLE PHASE	1
	PI12609N	RECTIFIER/REGULATOR Up to S/N33A163 3 PHASE	1
	PI10662N	CABLE STARTER	1
	PI10672N	COUPLING CRIMP	1
	PI10682N	CABLE FITTING 5/16	1
	PI10692N	STARTER RELAY	1
	PI12497N	SOLENOID	1

# Jabiru 3300 Engine

## Section P: AIR COOLING DUCTS

ITEM	PART #	ISS	DESCRIPTION	QTY
1	4696083	1	COOLING DUCT R.S.	1
2	4695083	1	COOLING DUCT L.S.	1
3	4794004	1	AIR BAFFLE	4
4			RIVET	2
5			WASHER	2
6	4615074	1	SPRING ATTACH LUG	2
7			SPRING	2
8			WIRE LOOP ON BARREL	AS REQD

# Jabiru 3300 Engine

